

HEINZMANN

thinking in drive and control



SHAPING THE FUTURE TOGETHER

Safety, quality and efficiency. Our expertise has grown over many years and makes us an indispensable partner in the field of engine management and electric drives for customised system solutions.

A high level innovative strength is a key component for our future success in the market. That is why we trust in the skills of our employees and promote their development.

Cooperation, which focuses on the skills and professionalism of each individual, enables global exchanges and continuous development of the HEINZMANN Group.

TODAY and *Tomorrow*

125 YEARS OF HEINZMANN

Markus Gromer
CEO

Gaudenz Pacher-Theinburg
Managing Director

Innovative technologies for the future

HEINZMANN has boasted major innovative strength ever since it was founded, enabling the company to take on the mantle of global technology leader in the field of engine management. It is our declared aim to further reinforce this position by focusing primarily on system solutions for the industrial and off-road sectors.

We consider it our mission to support the engine and turbine industry with forward-looking technology. By providing innovative systems and components, we help our customers meet challenging goals in terms of efficiency, emissions, fuel, service life and power.

HEINZMANN sees itself as a development partner with customer satisfaction as a top priority. Creativity, flexibility and an unrelenting drive to achieve high quality are the cornerstones of our success.

For decades, HEINZMANN has also proven itself as a renowned manufacturer and system supplier of electric motors up to 35 kW, which work well in harsh industrial environments.

In addition to international production sites, HEINZMANN has global sales offices in Germany, Austria, the Netherlands, the United Kingdom, Norway, Ukraine, China, South Korea, Australia, the USA and South Africa. Together with a network of over 40 sales partners, they ensure expert on-site support for our customers.

“ We see ourselves as a specialist and development partner in control and drive technology in the field of engine management for combustion engines, generators and turbines and in the field of electrical drives.

We support our customers with tailored solutions to reduce emissions and increase efficiency.

Markus Gromer, CEO and company owner



- HEINZMANN aims to help create a greener future with technology for alternative fuels to reduce emissions, increase the efficiency of combustion engines and to optimise electric drive systems.

Our corporate values



Grown Competence

Safety, quality and efficiency have made us a reliable partner in the field of engine management and electric drives.

From this strength we develop new system solutions.



Engagement

At HEINZMANN, we encourage teamwork and our colleagues help each other. We also offer a fair environment with a high level of appreciation and recognition.

Together with our employees, we work with enthusiasm and energy to realise our vision of sustainable energy production.



Innovative strength

At HEINZMANN, we let the energy of our employees flow into the further development of the company and into solving challenges.

We live by the philosophy of empowerment and trust in the abilities of our employees.



Unity

Our cooperation is characterised by intensive, lively cooperation, appreciation and professionalism of each individual.

Global exchange is an integral part of the HEINZMANN Group.

We are committed. Being committed means showing full commitment with energy and enthusiasm. The task we dedicate ourselves to becomes a matter of the heart.

Thanks to our passionate dedication and our knowledge, we are idea finders, achievers and indispensable partners.

An important factor for the commitment of our employees is the feeling, of being part of a mission. Core values clarify what HEINZMANN stands for and how the performance of each individual plays his or her part in fulfilling the vision.

Markus Gromer, CEO and company owner

- 1897 – HEINZMANN founded in Dresden
- 1987 – Anton Gromer, Managing Director since 1967, acquires HEINZMANN
- 1992 – Company moves to Schönau in the Black Forest
- 1999 – Markus Gromer becomes Managing Director and Co-owner



Together for a green future



“ The spirit of the HEINZMANN Group is at the heart of our approach: Our interaction is characterised by openness, respect and trust. We encourage constant communication between all companies in the group and support each other. The resulting synergies allow us to share the knowledge we have gained. ”

Markus Gromer, CEO and company owner

Where do we want to go?

Our future perspective

“ As a know-how provider in control and drive technology, HEINZMANN will actively shape the path towards sustainable energy generation and mobility.

That is why we develop the best solutions for climate-neutral controls and drives for our customers as our contribution to the preservation of our planet.

Markus Gromer, CEO and company owner

In brief

HEINZMANN has boasted major innovative strength ever since it was founded, enabling the company to take on the mantle of global technology leader in the field of engine management.

It is our declared aim to further reinforce this position by focusing primarily on system solutions for the industrial and off-road sectors.

In the field of electric drives, our customers around the world are benefiting from the synergies of a flexible and innovative think tank.

ENGINE & TURBINE MANAGEMENT

We consider it our mission to support the engine and turbine industry with forward-looking technology. By providing innovative systems and components, combined with proven expert knowledge, we help our customers meet challenging goals in terms of efficiency, emissions, fuel, service life and power.

- Engine and exhaust management
- Generator management
- Turbine control

ELECTRIC DRIVES

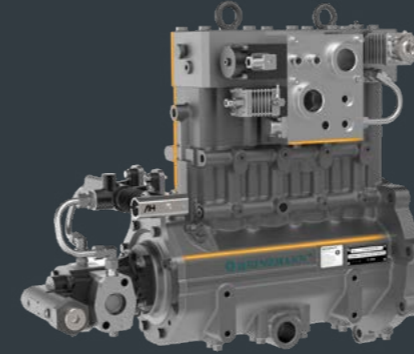
As a leading provider and system supplier for electric drives, we are facing the future challenges in engine technology with innovation and development expertise. Our drive technology has always been characterised by outstanding performance, high efficiency and state-of-the-art technology.

- Synchronous motors and generators
- Bicycle and wheel hub motors
- Direct current motors

Product highlights

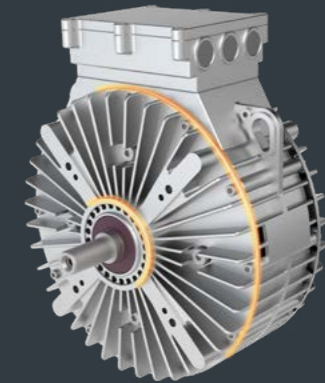
ODYSSEUS

Common rail high-pressure pump



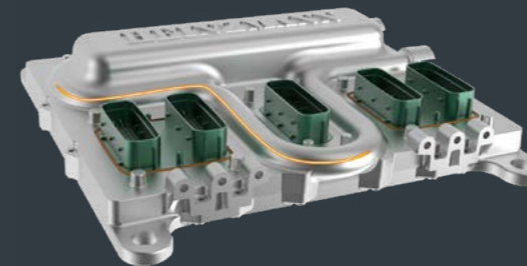
PMS GEN 3

Brushless synchronous motor



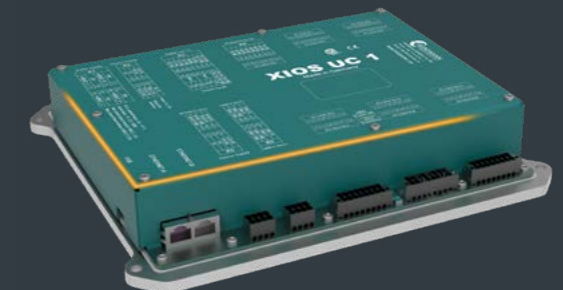
DARDANOS

EFI controller



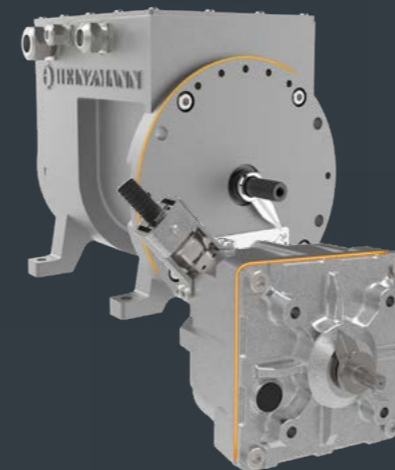
XIOS

Modular ECU



StG EC 250 & StG 3

Positioner & actuator



TRITON OMD

Oil mist detection



ENGINE & TURBINE MANAGEMENT

We supply the complete package

With our current group of companies, the HEINZMANN Group is able to provide all forms of technology for the control of combustion engines – not forgetting overall solutions for the control and monitoring of complete systems. For ships, locomotives, industrial vehicles, turbines and generator systems alike, HEINZMANN systems are optimally tailored to meet each customer's specific requirements.

■ MANAGEMENT OF DIESEL ENGINES

HEINZMANN works together with renowned engine manufacturers as a development and production partner for tailored control systems. For conventional and electronic injection processes alike, HEINZMANN provides sophisticated engine management systems for the control and monitoring of medium and large engines.

With components and systems for fuel injection, air path management, exhaust aftertreatment, regulation/control and comprehensive engine monitoring, HEINZMANN's portfolio provides our customers and partners with key elements for state-of-the-art engine management from a single source.

■ GAS ENGINE TECHNOLOGY

Featuring a highly flexible configuration and absolute operational reliability, HEINZMANN engine management systems are suitable for gas engines of all types, from all manufacturers and in all performance classes.

In this way, HEINZMANN provides the optimum control technology for the application-specific requirements of each individual gas engine. In addition to speed control systems, HEINZMANN also manufactures ignition systems and components for mixture control in gas engines together with products for misfire detection, knock control and the wastegate.

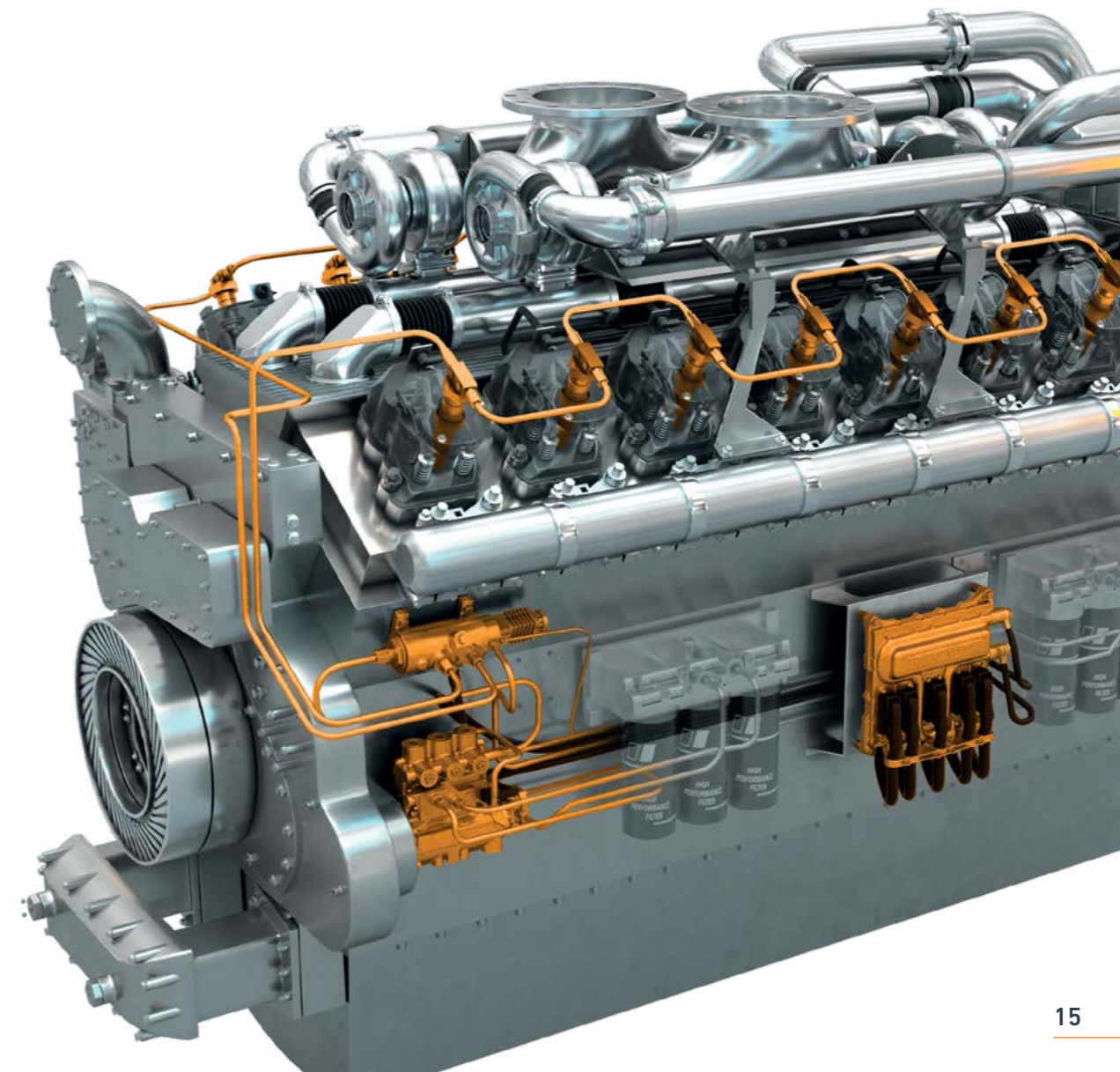
■ GENERATOR SYSTEMS

HEINZMANN solutions for generator and power management cover systems for generator systems in stand-alone or parallel operation. Individual or multiple installations involving engines powered by diesel, gas, dual-fuel and heavy fuel oil are possible. Our systems are installed all over the world in banks, airports, mines, ships, emergency power units for hospitals and much more.

■ TURBINES

HEINZMANN UK is a manufacturer and global provider of systems for turbine control, specialising in gas turbines of all sizes and designs. The focus here is on retrofitting mechanical, hydraulic and pneumatic turbine control systems.

The Australian subsidiary HEINZMANN Australia is a specialist in the field of steam turbines, providing a range that complements that of the British HEINZMANN subsidiary. The Si-TEC product line, which includes turbine and generator governors, is a particular focus in this regard.



Solutions for key industries

Decades of experience, the commitment to innovation and an outstanding price-performance ratio makes the HEINZMANN Group a much appreciated and reliable partner. Our system solutions are used in new engines and in retrofit systems in a wide range of applications, where they have proven their worth.

SHIPS

The HEINZMANN Group offers a comprehensive range of propulsion control, engine control and automation systems for ships. For decades, the member companies have been suppliers in the fields of high-sea, coastal and inland shipping. The products range from standard solutions to customer-specific developments. The reliability and quality of HEINZMANN systems are valued by customers and their suitability for use in ships is certified as a matter of course by renowned classification societies.



LOCOMOTIVES

With HEINZMANN and REGULATEURS EUROPA, the HEINZMANN Group features two long-standing specialists in the field of drive control for locomotives. These systems are available for both digital and electronic fuel injection. They are deployed in diesel-electric and diesel-hydraulic locomotives around the world. With a flexible configuration and excellent control characteristics, they are popular solutions for retrofitting and modernisation.



INDUSTRIAL VEHICLES

Thanks to their extraordinary performance, reliability and long service life, HEINZMANN systems meet the challenges set by the demanding operating conditions encountered by agricultural and construction vehicles. The success and reputation on the market are based in particular on special developments and large-scale productions on behalf of renowned customers such as Deutz, Liebherr and Daimler. The product range includes digital control systems, common rail systems, solutions for dual-fuel conversion and exhaust aftertreatment components from HEINZMANN subsidiary CPK Automotive.



Intelligent solutions create security

As an established system supplier of engine management solutions for combustion engines in the industrial sector, HEINZMANN offers a wide range of reliable control units that are also used in turbine control, generators and CHP plants.

■ TURBINES

The HEINZMANN Group includes two experienced specialists in the field of turbine control, offering systems and components for gas, steam and water turbines. HEINZMANN UK develops, produces and implements control systems across the globe for all types of turbines, particularly gas turbines. In addition to the tried-and-tested HEINZMANN governors, this also includes mechanical components, such as actuators, pumps and valves. HEINZMANN Australia focuses on control systems for steam turbines and generators.



■ GENERATOR SYSTEMS

Decades of expertise in combustion engine control forms the basis for HEINZMANN solutions for genset and power management. The range covers generator systems in stand-alone or parallel operation, in individual or multiple installations, engines powered by diesel, petrol, dual-fuel or heavy fuel.

The HEINZMANN subsidiary REGULATEURS EUROPA is a specialist in complex control solutions for power distribution systems in the medium and low-voltage sector. The systems are used around the world in hospitals, banks, airports, mines, ships, offshore plants and much more.



■ COMBINED HEAT AND POWER PLANTS

HEINZMANN offers a wide range of reliable control units that are used successfully in a wide range of applications, from power generation to direct drives in ships. The newly developed and extensively tested CHP control system for gas engines combines all the advantages of HEINZMANN control systems in a compact integrated solution. This enables reliable production and utilisation of heat and electrical energy, either in parallel to the mains or stand-alone operation.



ELECTRIC DRIVES

Innovative e-mobility

HEINZMANN is a renowned and experienced manufacturer of electric drives up to 35 kW and has established itself as a leading provider and system supplier for electric drive applications.

In addition to the design of the electric motors, the range of services includes the entire project engineering to obtain the customer-specific adaptation of the motors, as well as system integration of controllers.

The product spectrum covers a wide range of permanent magnet disc-type motors, synchronous generators, wheel hub and e-bike drives, which have proven hugely effective in numerous applications.

Driving innovative projects

HEINZMANN is a reliable partner for innovative, complete drive solutions for a wide range of application areas. In addition to industrial applications, our drive systems are also in tune with the times when it comes to the hot topic of electric mobility.

Applications include industry, such as robotics, driverless transport systems, mobile machinery, tracked vehicles, agricultural technology, cleaning and care machines, fans and pumps.

In the field of electric mobility, the focus is on e-bikes, cargo bikes, rehabilitation vehicles, electric motorbikes, boats and airfield logistics systems.

■ SYNCHRONOUS MOTORS & GENERATORS

Brushless synchronous disc-type motors from HEINZMANN offer a number of advantages over conventional electric motors: small size, flat design, lower weight with the same power and higher efficiency. These servo motors with patented rotor technology are therefore ideal for drive tasks in axially confined installation spaces. A small size combined with high performance make the HEINZMANN PMS series very efficient drives that are frequently used in machine and equipment manufacture and in the traction sector.

■ BICYCLE & WHEEL HUB MOTORS

HEINZMANN offers a large selection of space-saving motors for direct attachment to the wheel hub for a broad application range. As an early pioneer of bicycle drives, our e-bike motors benefit from our decades of experience and boast maximum efficiency across the entire speed range and a high torque at low speeds. Our wheel hub motors are suitable for any bicycle type or other NEVs.

■ DIRECT CURRENT MOTORS

Flat, dynamic and extremely adaptable - HEINZMANN brushed direct current motors. Because of their streamlined design, which distinguishes them from other electric motors, they constitute the best solution for a customer seeking a drive of up to 1.1 kW that can be easily and precisely controlled and can fit in a restricted installation space.



Powerful electric drives for a wide range of applications

HEINZMANN covers a wide range of applications. As well as supplying the right type of motor for customer-specific applications, HEINZMANN provides the associated system components to form a complete solution. The advantage is that the HEINZMANN team of experts helps customers choose the tailored drive system for the respective application area. This means that every user gets perfectly coordinated components from a single source.

INDUSTRY

For decades, our powerful and robust electric motors have proven particularly effective in harsh industrial environments. The wide range of applications includes electric lift systems, parking robots, agricultural machinery, pumps, construction machinery and cable winches.

A number of satisfied industrial clients can testify to our expertise in this area.



E-BIKES & CARGO BIKES

As an e-bike pioneer from the very beginning, we have decades of experience when it comes to motors for electric bicycles. Powerful HEINZMANN motors combined with our tried-and-tested system modules guarantee maximum drive power for e-bikes, cargo bikes, pedelecs and rehabilitation bicycles.



E-MOBILITY

In addition to industrial applications, our drive systems are also in tune with the times when it comes to the hot topic of electric mobility. HEINZMANN electric motors have proven themselves as an ideal drive solution for electric motorbikes, enduro bikes, karts and tracked vehicles.



Heinzmann GmbH & Co. KG

Am Haselbach 1 | 79677 Schönau | Germany

Phone: +49 7673 8208-0

info@heinzmann.de

www.heinzmann.com

www.heinzmann-electric-motors.com

