

CARGOPOWER HEAVY DUTY MOTOR

Developed for cargo bikes with a total weight of up to 600 kg

The new HEINZMANN **CargoPower Heavy Duty** motor is based on the tried and tested CargoPower motor. Its electrical components for high torques at low wheel speeds are now integrated in a particularly robust housing with reinforced axles and bearings. The motor is designed for a wheel with rim and is therefore ideal for multi-track vehicles with high wheel loads.

The CargoPower Heavy Duty motor is the key component of a well-thought-out wheel concept. The highly developed motor fits perfectly with the other harmonised wheel components: Tyres, rims and brakes for heavy-duty applications.

A high-performance wheel system for maximum reliability.



CargoPower Heavy Duty Motor

FEATURES

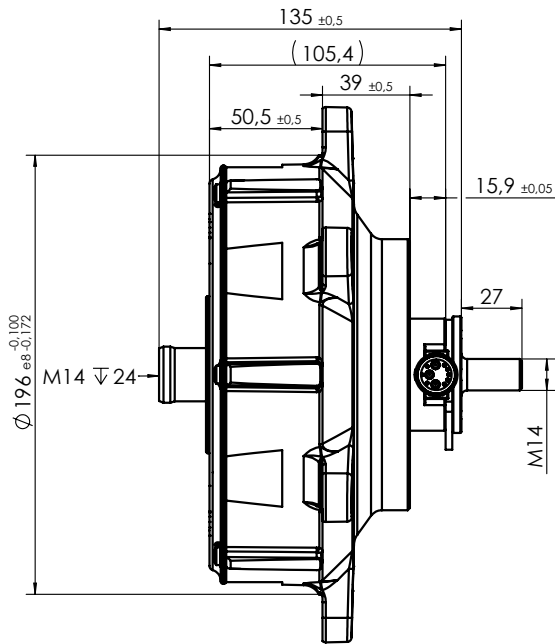
- ▶ High starting torque (up to 113 Nm)
- ▶ Brake energy recuperation possible
- ▶ High axle load
 - Single-sided mounting:
Designed for up to 200kg wheel load*
 - Double-sided mounting:
Designed for up to 250kg wheel load*
- ▶ Robust, maintenance-free, durable
- ▶ Integrated interfaces for rims and brakes

* Validation not yet completed

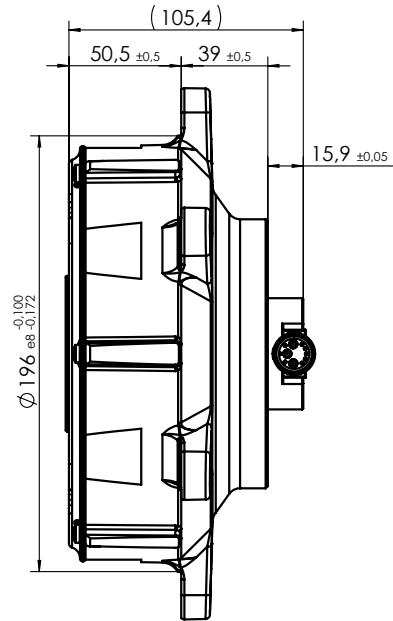


Rim from „Biketechonology GmbH“

Double-sided mounting



Single-sided mounting



TECHNICAL DATA (PROVISIONAL)

Performance class*	125, 250, 500, 600 W	Peak power	1350 W
Voltage	36 / 48 VDC	Degree of protection	IP65
Max. speed	400 rpm	Weight	~5.8 kg
Max. torque	113 Nm	Axle load	200 kg (250 kg**)

*) country-specific

**) Double-sided mounting

HEINZMANN & FAHRWERKER

Performance and quality

Fahrwerker System: Robust/Sicher/Zuverlässig

Bremse:

- Für alle E-Bikes, Cargo Bikes, Trikes und schwere Lastenfahrräder >350kg
- Getestet nach DIN 79010
- Hohe Standzeit
- Hohe Wärmestandfestigkeit
- Einfacher und schneller Service
- SBP (Patented smart bleed port)
- Dual und Single System
- Mineralöl MO-LEV
- Optionale mechanische Feststellbremse
- ABS compatible (Blubrake)

Rad:

- 16 x 2,15" (Motorrad ETRTO)
- Last Index 57b (260kg)
- Aluminiumdruckguss
- Ausgelegt nach Cargo Lastkollektiv
- Kraftfluss optimiertes Design
- Gewicht <3999g (LaufRad ohne Motor)
- Weitere Versionen in 20" und 26" (31,4 mm breit / Fahrrad ETRTO)
- Räder auch ohne Motorintegration erhältlich



www.fahrwerker.com/produkte

FAHRWERKER //

Perform Stronger.