

# CARGOPOWER HEAVY DUTY MOTOR

Developed for cargo bikes with a total weight of up to 600 kg

The new HEINZMANN **CargoPower Heavy Duty** motor is based on the tried and tested CargoPower motor. Its electrical components for high torques at low wheel speeds are now integrated in a particularly robust housing with reinforced axles and bearings. The motor is designed for a wheel with rim and is therefore ideal for multi-track vehicles with high wheel loads.

The **CargoPower Heavy Duty** motor is the key component of a well-thought-out wheel concept. The highly developed motor fits perfectly with the other harmonised wheel components: Tyres, rims, and brakes for heavy-duty applications

**A high-performance wheel system for maximum reliability.**



CargoPower Heavy Duty Motor

## FEATURES

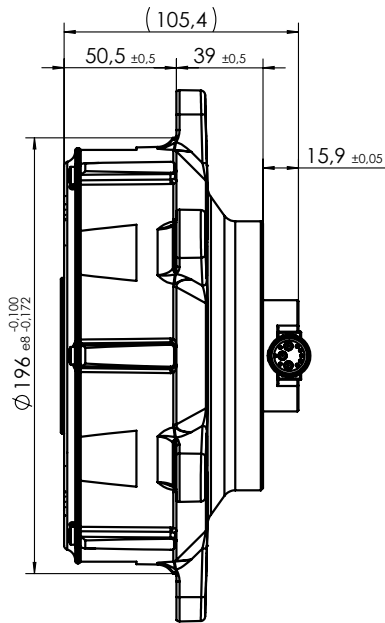
- ▶ High starting torque (up to 113 Nm)
- ▶ Brake energy recuperation possible
- ▶ High axle load
  - Single-sided mounting:  
Designed for up to 200 kg wheel load\*
  - Double-sided mounting:  
Designed for up to 250 kg wheel load\*
- ▶ Robust, maintenance-free, durable
- ▶ Integrated interfaces for rims and brakes

\* Validation not yet completed

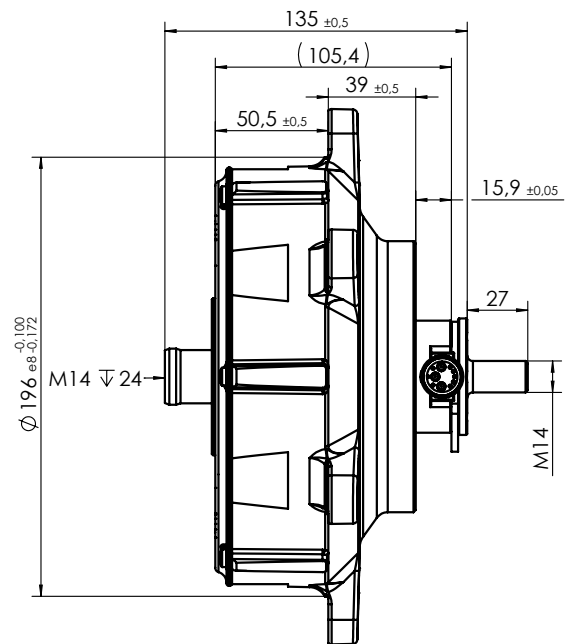


Rim from „Biketechology GmbH“

## Single-sided mounting



## Double-sided mounting



## TECHNICAL DATA (PROVISIONAL)

<b>Performance class*</b>	125, 250, 500, 600 W	<b>Peak power</b>	1350 W
<b>Voltage</b>	36 / 48 VDC	<b>Degree of protection</b>	IP65
<b>Max. speed</b>	400 rpm	<b>Weight</b>	~5.8 kg
<b>Max. torque</b>	113 Nm	<b>Axle load</b>	200 kg (250 kg**)

\*) country-specific

\*\*) Double-sided mounting

## HEINZMANN & FAHRWERKER

### Performance and quality

#### Fahrwerker System: robust, safe & reliable

##### Brake:

- For all e-bikes, cargo bikes, trikes, and heavy cargo bikes >350 kg
- Tested according to DIN 79010
- Long service life
- High heat resistance
- Simple and fast servicing
- SBP (Patented smart bleed port)
- Dual and Single System
- Mineral oil MO-LEV
- Optional mechanical parking brake
- ABS compatible (Blubrake)

##### Wheel:

- 16 x 2,15" (Motorbike ETRTO)
- Last Index 57b (260 kg)
- Die-cast Aluminium
- Designed according to Cargo load spectrum
- Force flow optimised design
- Weight <3999 g (Wheel without motor)
- Further versions in 20" and 26" (31,4 mm wide / bicycle ETRTO)
- Wheels also available without motor integration



[www.fahrwerker.com/produkte](http://www.fahrwerker.com/produkte)

**FAHRWERKER //**

**Perform Stronger.**